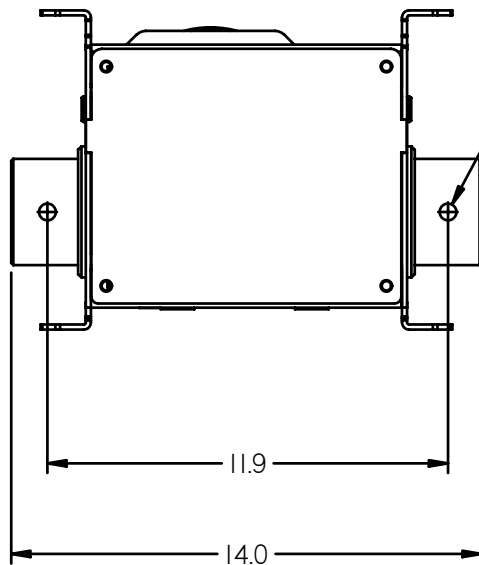
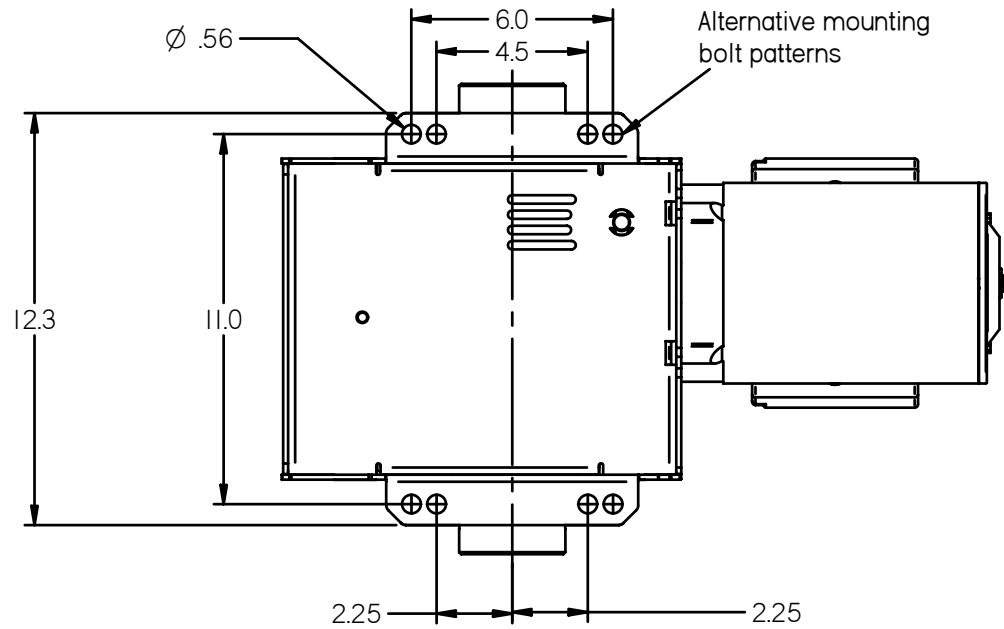
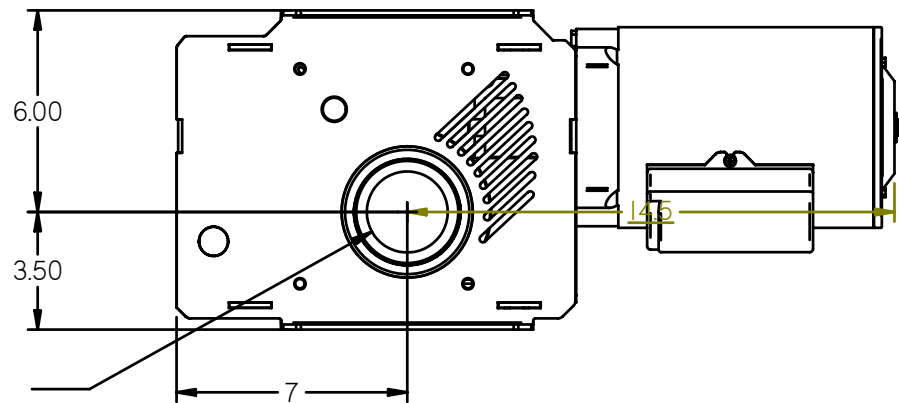


Either upper or lower flanges may be used for mounting



Ø .50 driving pins



Ø 2.4 through bore

Dimensions in inches
1 HP 115/1/60
1000 in lbs. at 20 rpm

TORK WINCH INC.

TWI200 DIVIDER CURTAIN WINCH

Date: July 15/02

Drawing

I200-01

Model

TWI200