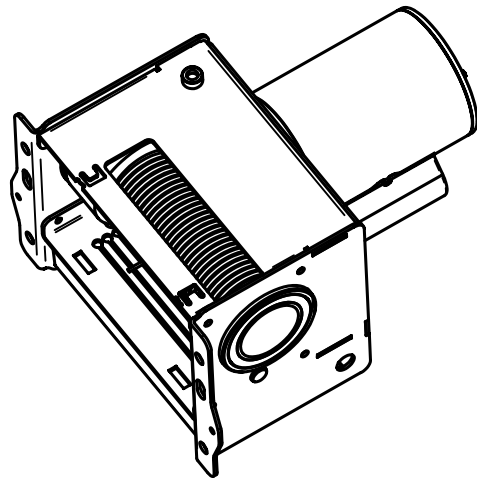


4 mounting holes,
.56 diameter



Dimensions in inches	TORK WINCH INC.		
	Model TW500L Winch		
Date :10/05/01	Drawing	500L-01	
Drawn: PMR			