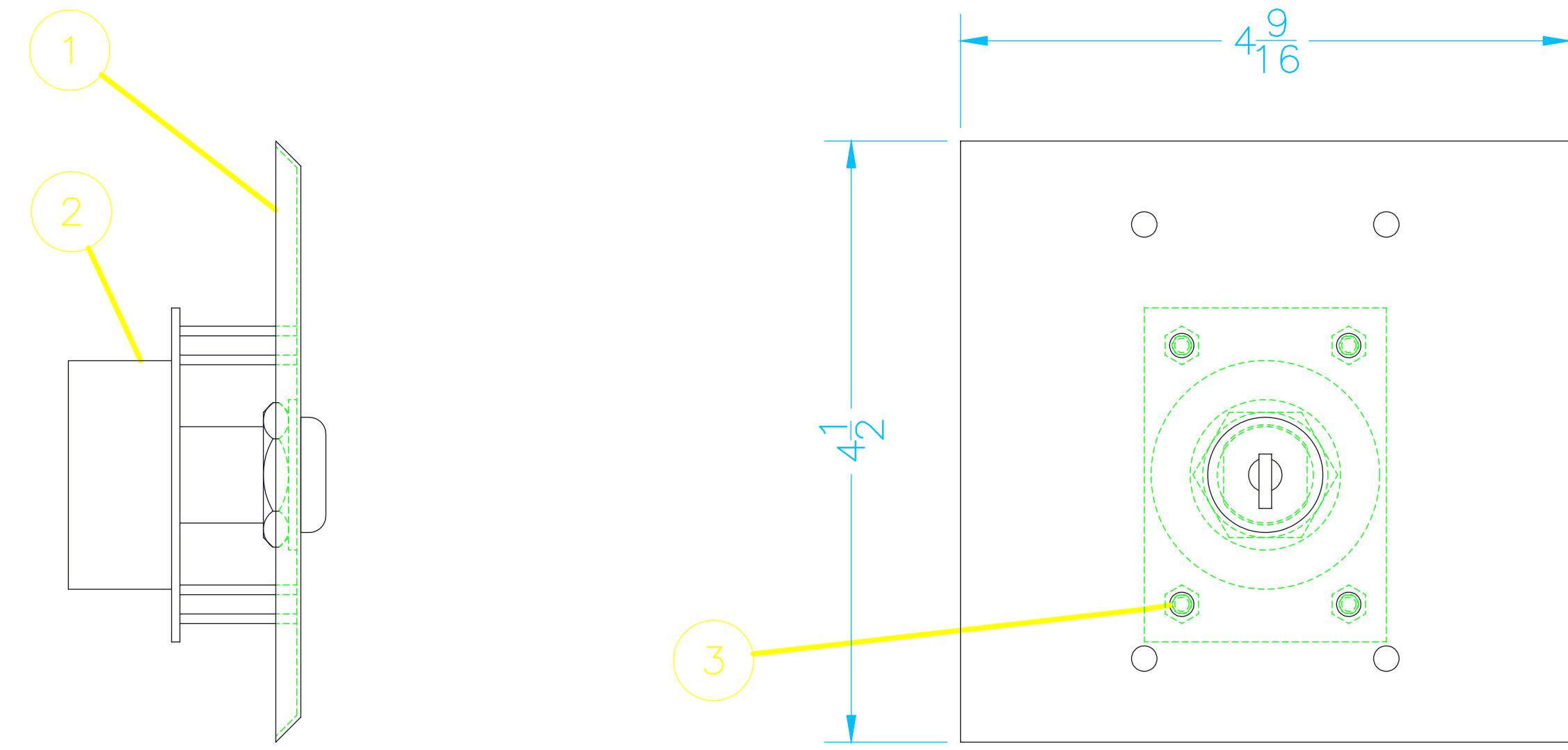
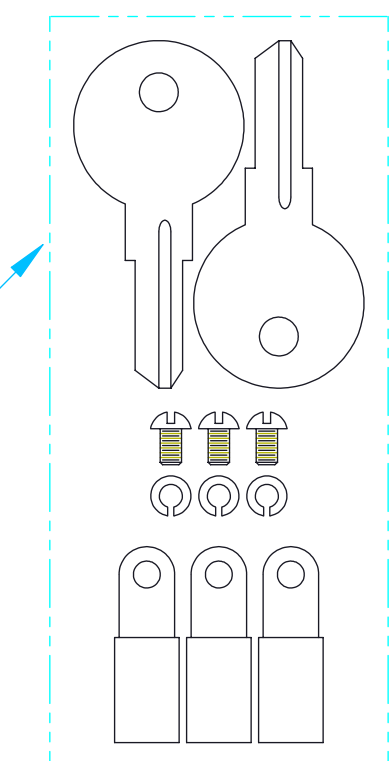


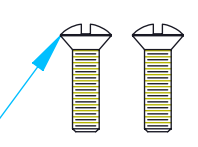
REV NUM	DATE	REVISION NOTICE	REVISION DESCRIPTION	BY	APRD
---------	------	-----------------	----------------------	----	------



TERMINAL & SCREW PACKET
SUPPLIED WITH KEYSWITCH
(ONE PER KEYSWITCH)



SCREWS
SUPPLIED WITH WALLPLATE
(TWO PER KEYSWITCH)



ITEM	PART NUMBER	QTY	DESCRIPTION	TOTAL QTY	UOM
<p>THIS DOCUMENT IS THE PROPERTY OF TORK WINCH INC., AND SHALL NOT BE USED, COPIED OR TRANSFERRED TO ANY OTHER DOCUMENTS (WHOLLY OR PARTIALLY) WITHOUT PERMISSION OF TORK WINCH INC.</p> <p>DO NOT SCALE DRAWING</p> <p>UNLESS OTHERWISE SPECIFIED DIMENSIONS ARE INCHES DIMENSIONS IN [] ARE MM</p> <p>-TOLERANCES-</p> <p>ANGULAR ± 0.5°</p> <p>DECIMAL ± .02 FRACTIONAL ± 1/32 0.0 ± .01 GENERAL ± 1/16 0.00 ± .01 CUTTING ± 1/16 0.000 ± .002 FORMING ± 1/16 0.0000 ± .0005 WELDING ± 1/16</p> <p>QUOTE NUMBER</p> <p>DRAWN BY WJW</p> <p>DRAWN DATE 24SEP13</p> <p>UNSPECIFIED MACHINING ✓</p> <p>SHAFT RADII MACHINING ✓</p> <p>UNSPECIFIED WELDS PER 30008800 *</p> <p>APPROVED</p> <p>UOM EA</p> <p>WEIGHT (LBS) 0.524</p> <p>DERIVED FROM</p> <p>SHT NO 1</p> <p>SHT OF 1</p> <p>SCALE 1/2</p> <p>TORK TWI WINCH INC.</p> <p>POSILOK INC.</p> <p>KEY SWITCH KIT- 1 KEY 2 GANG</p> <p>DRAWING NO 38000368</p> <p>REV NUM 1</p>					