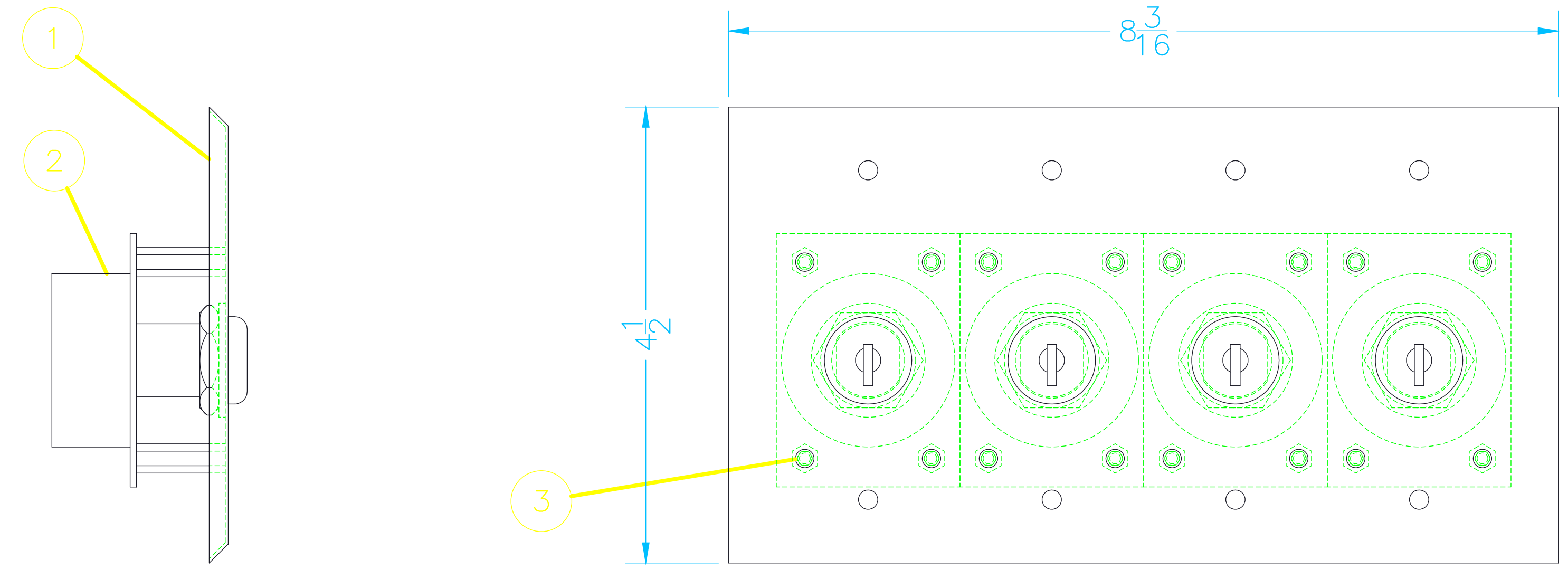
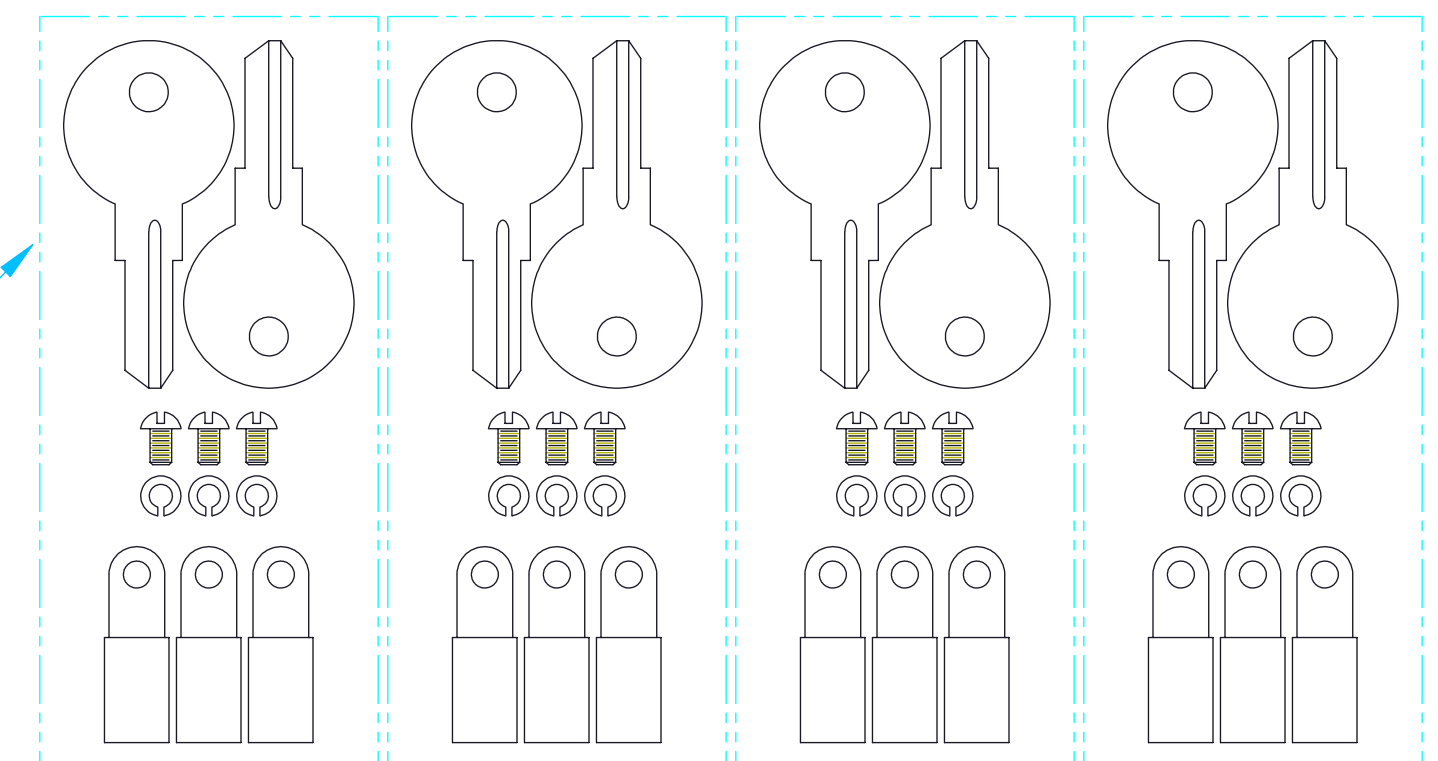


| REV NUM | DATE | REVISION NOTICE | REVISION DESCRIPTION | BY | APRD |
|---------|------|-----------------|----------------------|----|------|
|---------|------|-----------------|----------------------|----|------|



TERMINAL & SCREW PACKET SUPPLIED WITH KEYSWITCH (ONE PER KEYSWITCH)



SCREWS SUPPLIED WITH WALLPLATE (TWO PER KEYSWITCH)



| ITEM   | PART NUMBER | QTY | DESCRIPTION                             | TOTAL QTY | UOM |
|--|-------------|-----|---|-----------|-----|
| <p>THIS DOCUMENT IS THE PROPERTY OF TORK WINCH INC., AND SHALL NOT BE USED, COPIED OR TRANSFERRED TO ANY OTHER DOCUMENTS (WHOLLY OR PARTIALLY) WITHOUT PERMISSION OF TORK WINCH INC.</p> |             |     |   |           |     |
| <p><b>DO NOT SCALE DRAWING</b></p>   |             |     |   |           |     |
| <p>UNLESS OTHERWISE SPECIFIED DIMENSIONS ARE INCHES DIMENSIONS IN [ ] ARE MM</p>   |             |     | <p>QUOTE NUMBER</p>                     |           |     |
| <p>-TOLERANCES-</p>  |             |     | <p>DRAWN BY<br/><b>WJW</b></p>          |           |     |
| <p>ANGULAR ± 0.5°</p>  |             |     | <p>ORDER NUMBER</p>                     |           |     |
| <p>DECIMAL ± .02 GENERAL ± 1/32</p>  |             |     | <p>DRAWN DATE<br/><b>24SEP13</b></p>    |           |     |
| <p>0.0 ± .01 CUTTING ± 1/16</p>  |             |     | <p>UNSPECIFIED MACHINING ✓</p>          |           |     |
| <p>0.000 ± .002 FORMING ± 1/16</p>   |             |     | <p>SHAFT RADII MACHINING ✓</p>          |           |     |
| <p>0.0000 ± .0005 WELDING ± 1/16</p>   |             |     | <p>APPROVED</p>                         |           |     |
|  |             |     | <p>UNSPECIFIED WELDS PER 30008800 *</p> |           |     |
|  |             |     | <p>UOM<br/><b>EA</b></p>                |           |     |
|  |             |     | <p>KEY SWITCH KIT- 4 KEY 4 GANG</p>     |           |     |
|  |             |     | <p>DERIVED FROM</p>                     |           |     |
|  |             |     | <p>SCALE<br/><b>1/2</b></p>             |           |     |
|  |             |     | <p>SHT NO<br/><b>1</b></p>              |           |     |
|  |             |     | <p>SHT OF<br/><b>1</b></p>              |           |     |
|  |             |     | <p>DRAWING NO<br/><b>38000363</b></p>   |           |     |
|  |             |     | <p>REV NUM<br/><b>1</b></p>             |           |     |

