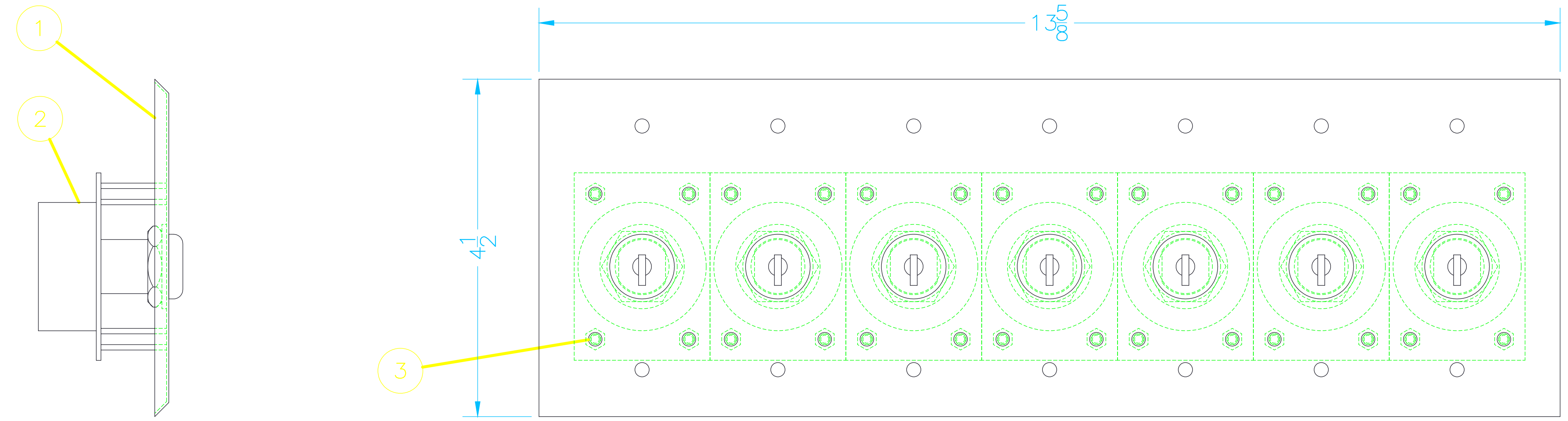
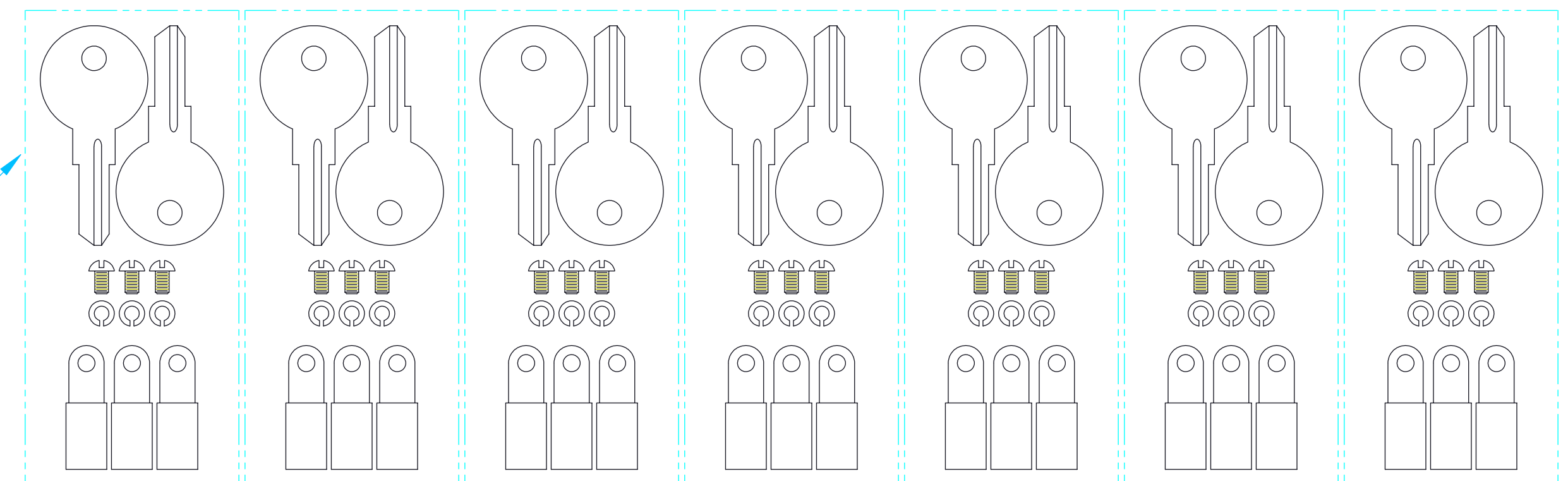


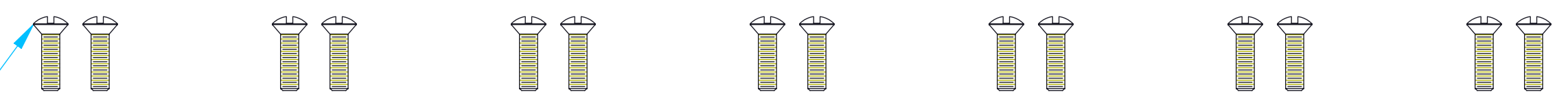
REV NUM	DATE	REVISION NOTICE	REVISION DESCRIPTION	BY	APRD
---------	------	-----------------	----------------------	----	------



TERMINAL & SCREW PACKET SUPPLIED WITH KEYSWITCH (ONE PER KEYSWITCH)



SCREWS SUPPLIED WITH WALLPLATE (TWO PER KEYSWITCH)



ITEM	PART NUMBER	QTY	DESCRIPTION	TOTAL QTY	UOM
<p>THIS DOCUMENT IS THE PROPERTY OF TORK WINCH INC., AND SHALL NOT BE USED, COPIED OR TRANSFERRED TO ANY OTHER DOCUMENTS (WHOLLY OR PARTIALLY) WITHOUT PERMISSION OF TORK WINCH INC.</p>					
DO NOT SCALE DRAWING					
UNLESS OTHERWISE SPECIFIED DIMENSIONS ARE INCHES DIMENSIONS IN [] ARE MM		QUOTE NUMBER	DRAWN BY WJW		
-TOLERANCES-		ORDER NUMBER	DRAWN DATE 24SEP13		
ANGULAR ± 0.5°		UNSPECIFIED MACHINING ✓	CHECKED	KEY SWITCH KIT- 7 KEY 7 GANG	
DECIMAL	FRACTIONAL	SHAFT RADII MACHINING ✓	APPROVED	DERIVED FROM	SHT NO
0.0 ± .02	GENERAL ± 1/32	UNSPECIFIED WELDS PER 30008800	UOM EA		1
0.00 ± .01	CUTTING ± 1/16		WEIGHT (LBS) 2.645	SCALE 1/2	SHT OF 1
0.000 ± .002	FORMING ± 1/16				B
0.0000 ± .0005	WELDING ± 1/16				38000366
				DRAWING NO	REV NUM
					1