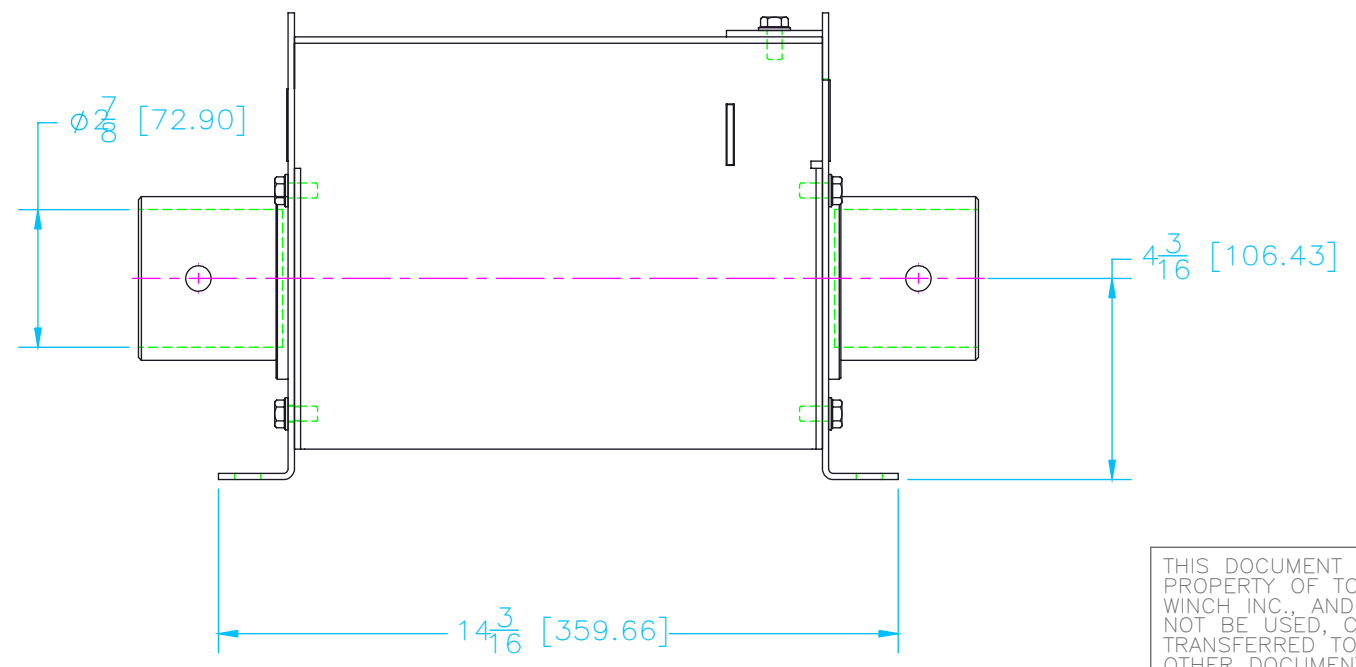
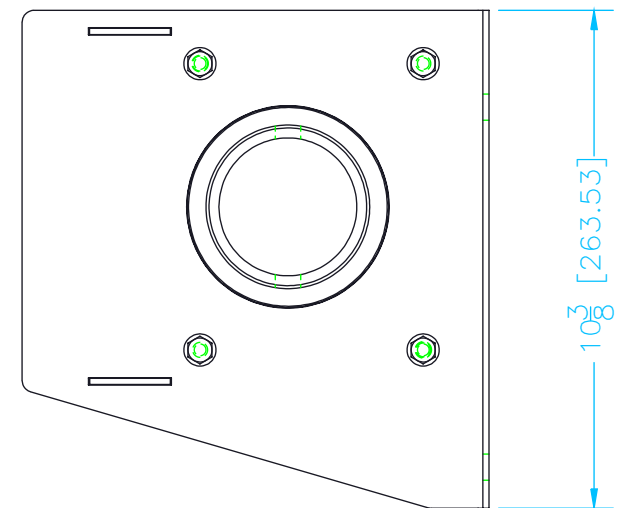
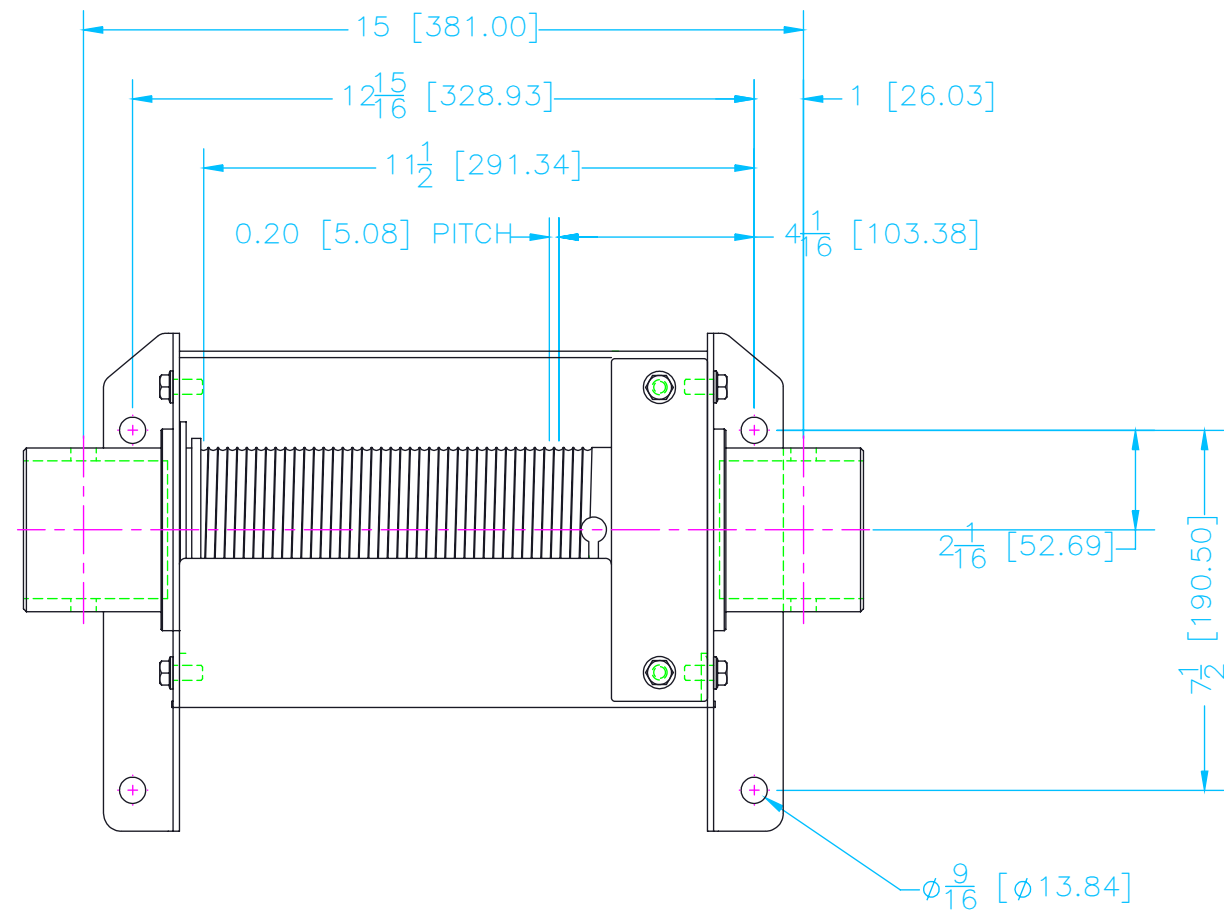


REV NUM	DATE	REVISION NOTICE	REVISION DESCRIPTION	BY	APRD
---------	------	-----------------	----------------------	----	------



GROOVE NUMBER	ROPE TRAVEL		FLEET DISTANCE	
	INCHES	mm	INCHES	mm
1	—	—	—	—
2	—	—	—	—
3	—	—	—	—
4	7.8	198	2.9	73
5	15.6	395	5.7	145
6	23.3	593	8.6	218
7	31.1	791	11.5	291
8	38.9	988	14.3	364
9	46.7	1186	17.2	436
10	54.5	1384	20.0	509
11	62.3	1582	22.9	582
12	70.0	1779	25.8	655
13	77.8	1977	28.6	727
14	85.6	2175	31.5	800
15	93.4	2372	34.4	873
16	101.2	2570	37.2	946
17	109.0	2768	40.1	1018
18	116.7	2965	43.0	1091
19	124.5	3163	45.8	1164
20	132.3	3361	48.7	1237
21	140.1	3559	51.5	1309
22	147.9	3756	54.4	1382
23	155.7	3954	57.3	1455
24	163.4	4152	60.1	1527
25	171.2	4349	63.0	1600
26	179.0	4547	65.9	1673
27	186.8	4745	68.7	1746
28	194.6	4942	71.6	1818
29	202.4	5140	74.5	1891
30	210.1	5338	77.3	1964
31	217.9	5535	80.2	2037
32	225.7	5733	83.0	2109
33	233.5	5931	85.9	2182
34	241.3	6129	88.8	2255
35	249.1	6326	91.6	2328
36	256.8	6524	94.5	2400
37	264.6	6722	97.4	2473
38	272.4	6919	100.2	2546
39	280.2	7117	103.1	2618
40	288.0	7315	106.0	2691
41	295.8	7512	108.8	2764

THIS DOCUMENT IS THE PROPERTY OF TORK WINCH INC., AND SHALL NOT BE USED, COPIED OR TRANSFERRED TO ANY OTHER DOCUMENTS (WHOLLY OR PARTIALLY) WITHOUT PERMISSION OF TORK WINCH INC.

ITEM	PART NUMBER	QTY	DESCRIPTION	TOTAL QTY	UOM
<b>TORK WINCH</b>					
DO NOT SCALE DRAWING			QUOTE NUMBER	DRAWN BY <b>WJW</b>	
UNLESS OTHERWISE SPECIFIED DIMENSIONS ARE INCHES DIMENSIONS IN [ ] ARE MM			ORDER NUMBER	DRAWN DATE <b>02MAY14</b>	
-TOLERANCES-			UNSPECIFIED MACHINING	CHECKED	
ANGULAR ± 0.5°			SHAFT RADII MACHINING	APPROVED	
DECIMAL ± .02 GENERAL ± 1/32			UNSPECIFIED WELDS PER 30008800	UOM <b>EA</b>	
0.0 ± .01 CUTTING ± 1/16			* /	DERIVED FROM <b>38000220-2</b>	
0.000 ± .002 FORMING ± 1/16				SCALE <b>1/4</b>	
0.0000 ± .0005 WELDING ± 1/16				SHT NO <b>1</b>	
				SHT OF <b>1</b>	
				<b>B</b>	
				DRAWING NO <b>A8000020</b>	
				REV NUM <b>0</b>	

APPROVAL DWG- PS500

WEIGHT (LBS)  
**48.494**