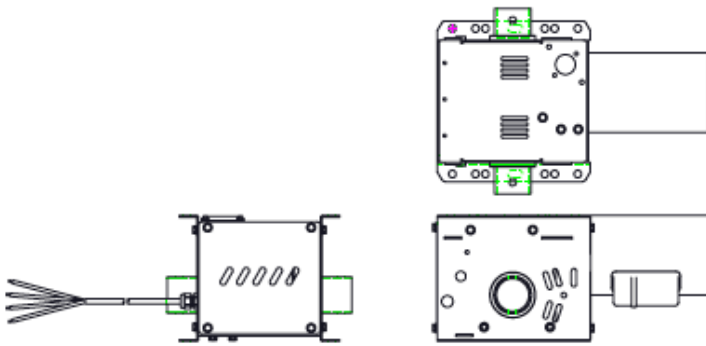


# CW 1800 INSTALLATION INSTRUCTIONS



## CAUTION

1. As a lifting device, the installation shall be made only by persons suitably experienced and qualified for work on hoisting equipment, in accordance with local requirements and codes.
2. The electrical supply and connection to the winch shall be made in accordance with local electrical code and by qualified personnel.
3. These instructions address the areas of proper mounting, wiring and limit switch adjustment, but they are not intended to cover every aspect of installation of your hoisting system, not to replace the need for normal good care, workmanship and proper practices on part of the installer.
4. Do NOT run the winch greater than its rated duty cycle of 10 minutes on, 20 minutes off.
5. During operation make sure winch comes to a complete stop before proceeding to operate in the opposite direction.

## IMPORTANT – READ BEFORE INSTALLATION

This winch is equipped with a special one way braking system. The brake system is connected to the drive shaft of the main pinion gear and is extended on the winch frame. The brake is a spring loaded one way brake, the braking force is applied while the load is being lowered. There is a specific "lifting direction" and "lowering direction".

The winch MUST be installed with the curtain/load on the proper side of the drive pipe.

To ensure that this happens, the winch can be installed with the brake on the top or bottom. Refer to figure 2 showing the four possible mounting orientations.

Run the winch prior to installation to check for any damage during shipping.

Follow the limit switch setting instructions as described on sheet 3.

Installing the winch in the incorrect orientation will mean that the limit direction is backwards and the winch will draw higher current when the curtain is lifting. It will not stop quickly when lowering. The curtain could also creep down slowly when the power is off.

Installation Instructions Continued >

# CW 1800 INSTALLATION INSTRUCTIONS

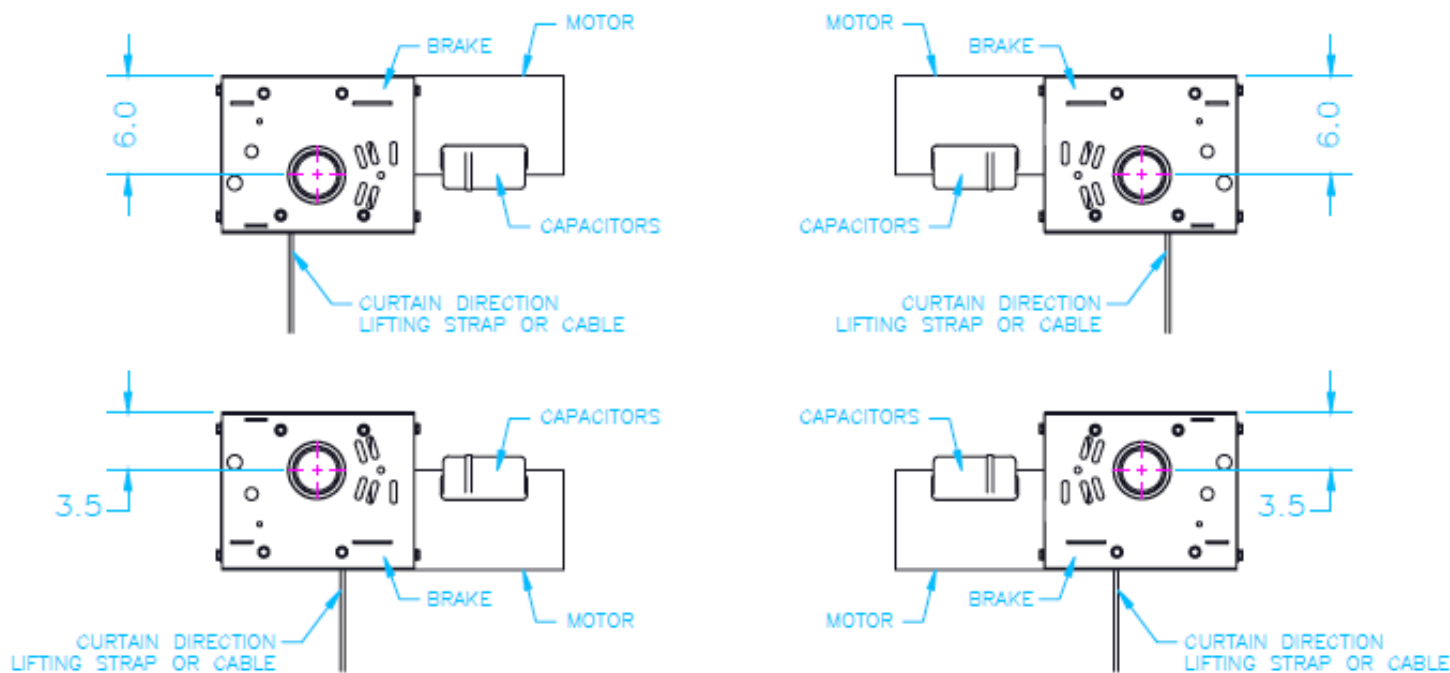


Figure 1 - Mounting Orientation

## EMERGENCY LOWERING OF CW 1800 WINCH IN CASE OF A POWER FAILURE

If the winch is not able to be used because of a power failure, it is possible to manually turn the winch motor to lower the curtain.

The standard winch motor comes with a 1/2 inch hex drive on the end of the motor shaft found at the back of the motor. Use a 1/2 inch socket and cordless drill or hand tool over this hex shaft.

Turning the shaft clockwise will slowly lower the backstop.

NOTE - The limit switches will not stop this winch if operated manually through motor shaft. Take care to not drive the winch past the lower limit switch as this could damage the limit switch, curtain or other structure.

## RECOMMENDED MAINTENANCE

The following steps are recommended to be performed on a yearly basis.

1. Visually inspect the CW 1800 unit to ensure there is no wear on the frame, bearings or gears.
2. Ensure limit switches are tightly fastened to frame and actuator gears are adequately secured by limit tensioning plate.
3. Ensure there is adequate grease on gears. S3 V460XD 2 grease recommended.

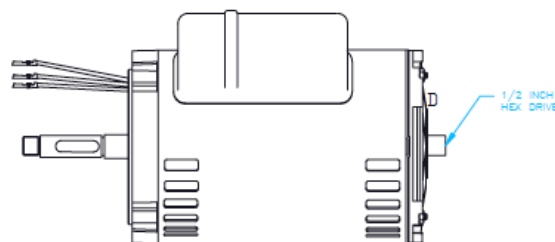


Figure 3 - Emergency Lowering

Installation Instructions Continued >

# CW 1800 INSTALLATION INSTRUCTIONS

## WIRING

Wiring shall be made only by persons suitably experienced and qualified for work on hoisting equipment, in accordance with local requirements and codes.

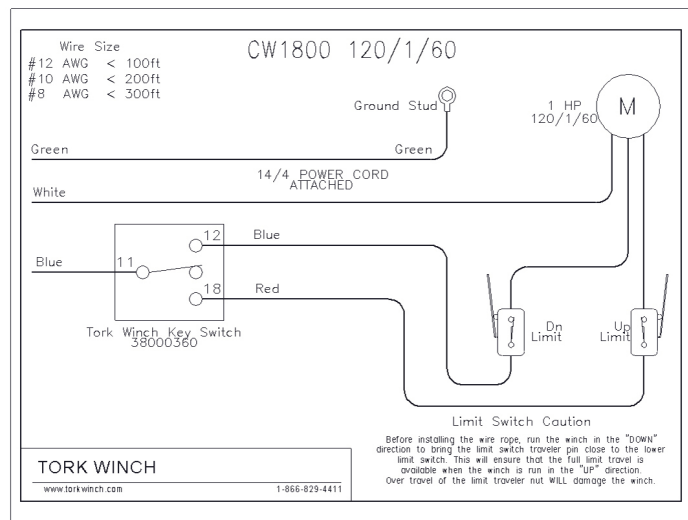


Figure 2 - Wiring 120/1/60

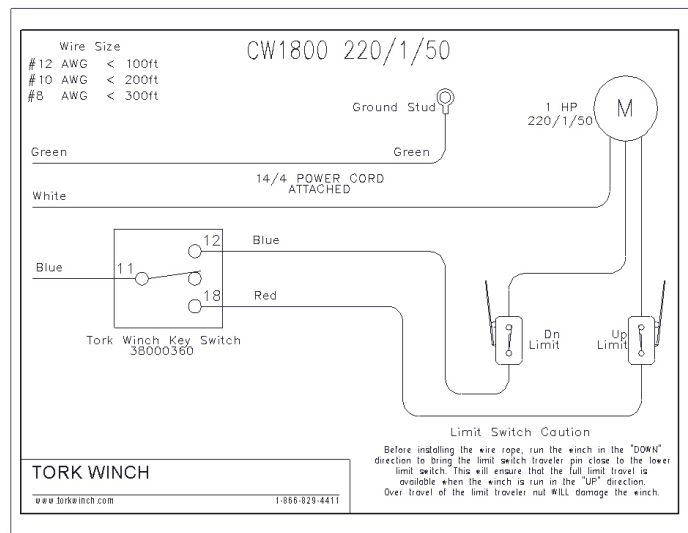


Figure 3 - Wiring 220/1/50

**NOTE - IF VOLTAGE IS DIFFERENT THAN SHOWN ABOVE SEE SEPARATE SCHEMATIC INCLUDED WITH WINCH.**

## SETTING THE LIMIT SWITCHES

To set the limit switches the winch should be installed in its final location with the curtain attached and ready to operate.

1. Push the limit tensioner plate back. This will allow the actuator gears to spin freely. Move them both to the center of the limit rod. Release the limit tensioner plate.
2. Run the winch until the curtain is at the lowest desired point. Hold back the limit tensioner plate and spin the actuator gear until it hits the lower limit switch lever and you hear a click.
3. Release the limit tensioner plate. Turn the actuator gear slightly so that the limit tensioner plate inserts into a notch.
4. Run the winch until the curtain is at the highest desired point. Hold back the limit tensioner plate and spin the actuator gear until it hits the lower limit switch lever and you hear a click. (HINT- if you hold only one side of the limit tensioner plate the lower actuator gear will not lose its setting.)
5. Release the limit tensioner plate. Turn the actuator gear slightly so that the limit tensioner plate inserts into a notch.
6. Make sure to run the winch through a full cycle to ensure the limit switches are functioning and the limits are set correctly.

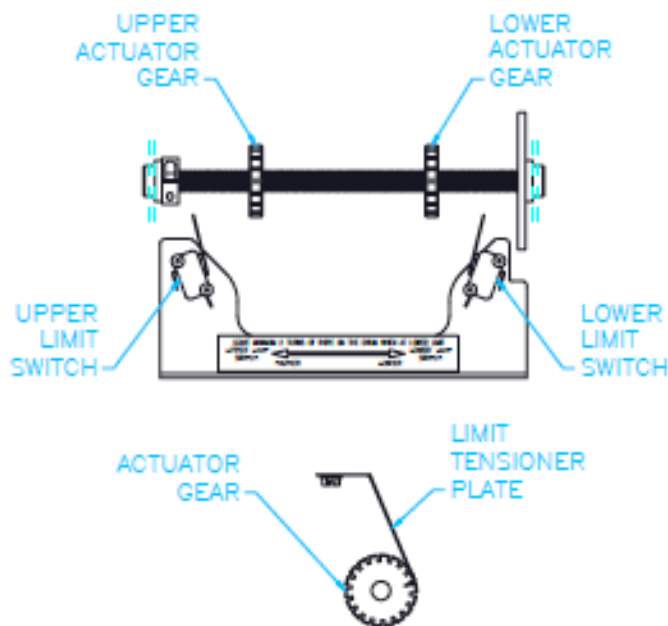


Figure 4 - Limit Switch Adjustment