

TECHNICAL SPECIFICATIONS

Max. Safe Working Load

Load Type

Strap Type

Rope Travel

Gear Reduction

Braking

Frame

Mounting

Crank Handle Position

Weight (As Shipped)

TW200 VOLLEYBALL WINCH

Designed to lift a vertical weight of 400 lbs / 181 kg.

Vertical lifting.

1-7/8" wide polyester web. Minimum braking strength of 2000 lbs.

Depends on customer's choice of strap (48" - 112").

Self locking worm drive.

Worm gear and thrust braking.

Patented interlocking steel frame for high rigidity and precise alignment. Semi enclosed for safety. Powder coated for corrosion resistance.

Able to mount to 3" or 3.5" uprights.

Crank input is on the front face of the unit. Crank folds back for safe storage and security against loss.

6 lbs / 2.7 kg.

WARNING

Not to be used for lifting people.

For indoor use only.

Specifications subject to change without notice.



Call to speak with an expert:

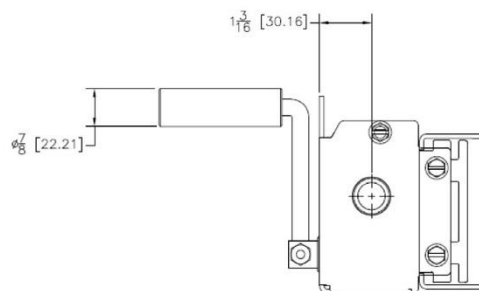
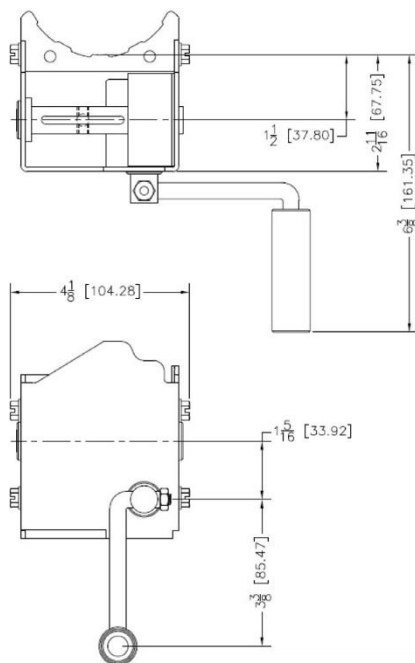
1-866-829-4411

or visit us online:

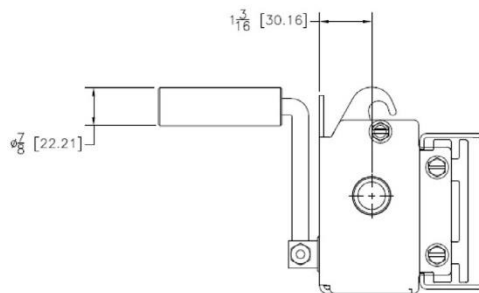
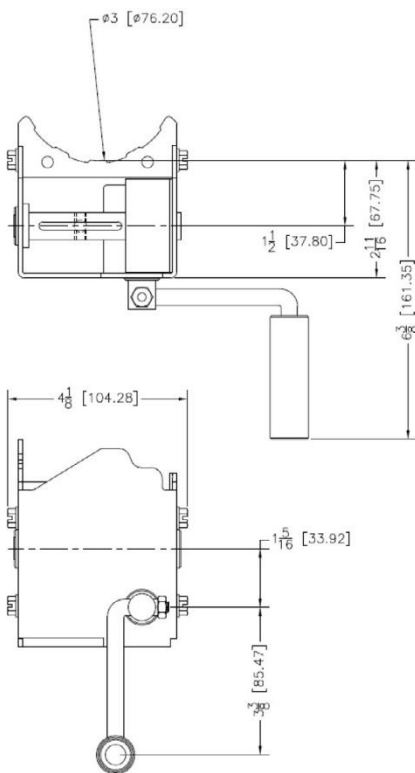
TORKWINCH.COM

FRAME OPTIONS

38001359
TW 200 Standard Frame

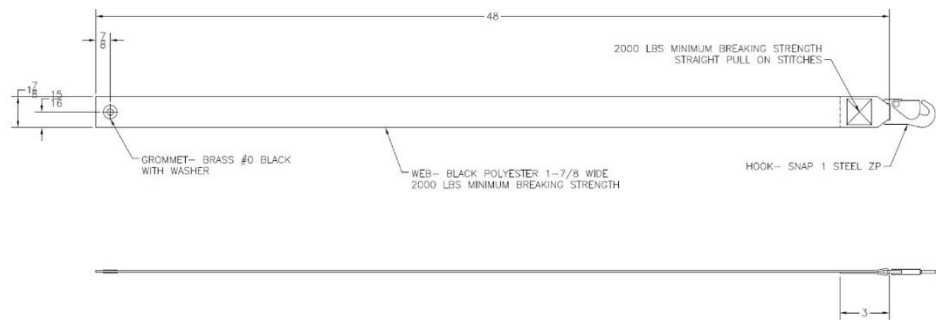


38001360
TW 200 Frame with Hook

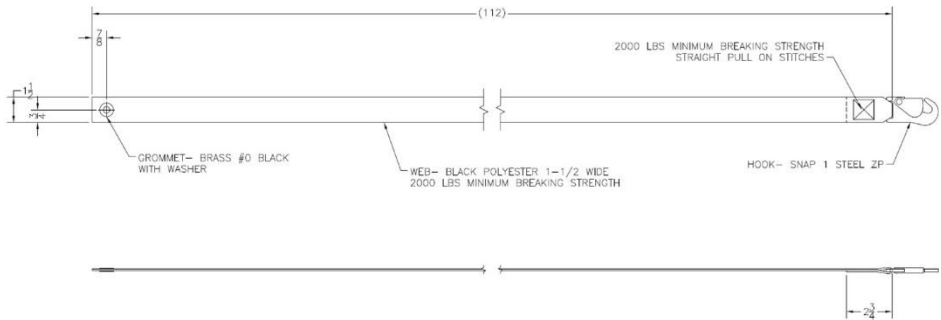


STRAP OPTIONS

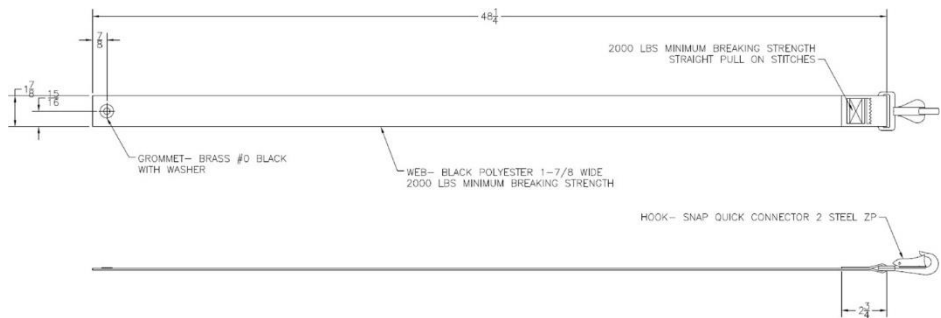
38000316
Strap
TW 200 1-7/8 x 48
Snap Hook



38000318
Strap
TW 200 1-7/8 x 112
Snap Hook



38000319
Strap
TW 200 1-7/8 x 48-1/4 x 2
Inch Round Hook



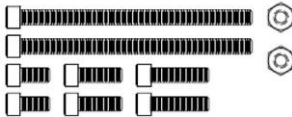
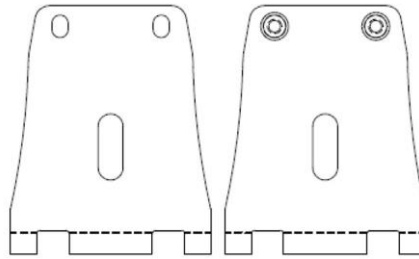
CLAMP OPTIONS

38000315
Clamp Kit-3"/3.5"

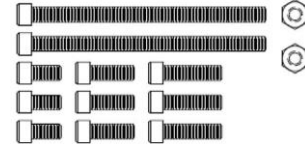
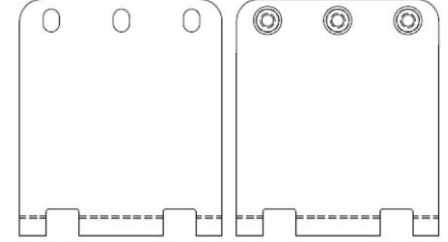
38000320
Clamp Kit-3"/3.5"
(3Nut)

38000778
Clamp Kit-3"/3.5"
With NetHook

38000315—Clamp Kit- 3"/3.5" TW200



38000320—Clamp Kit- 3"/3.5" TW200 (3 Nut)



38000778—Clamp Kit- 3"/3.5" TW200 w/ Net Hook

