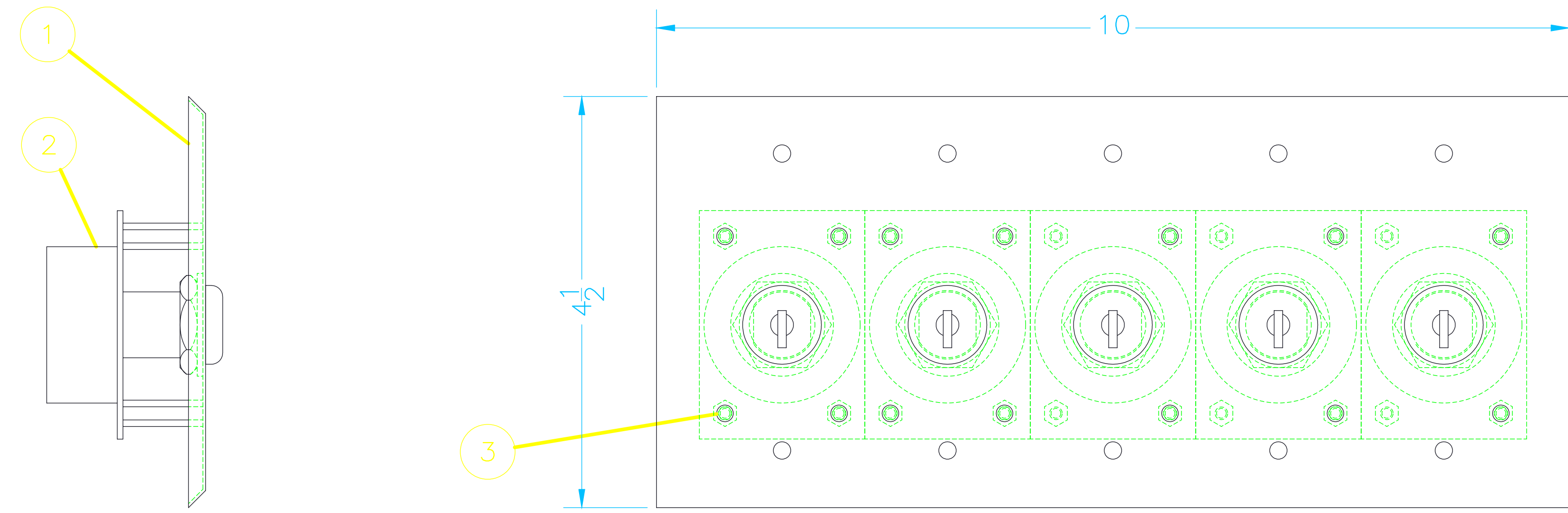
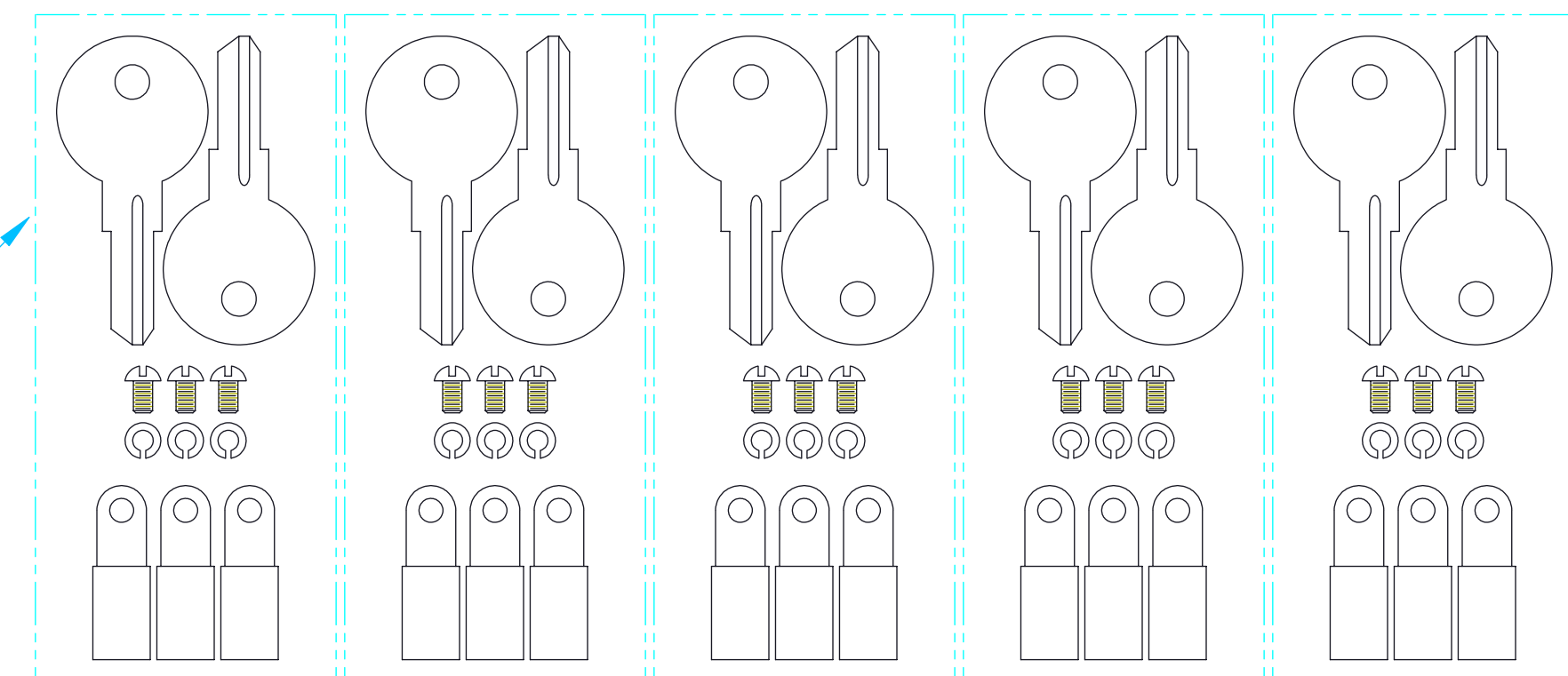


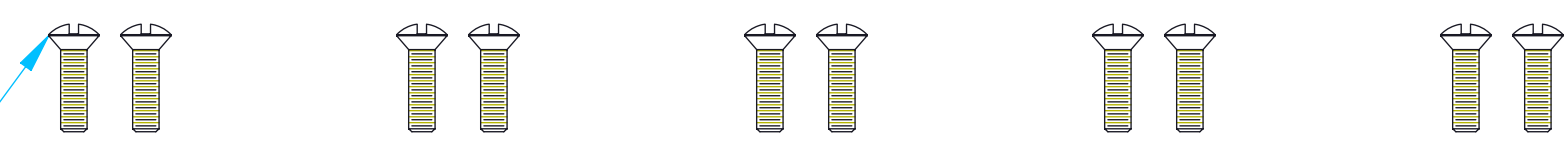
REV NUM	DATE	REVISION NOTICE	REVISION DESCRIPTION	BY	APRD
---------	------	-----------------	----------------------	----	------




TERMINAL & SCREW PACKET SUPPLIED WITH KEYSWITCH (ONE PER KEYSWITCH)



SCREWS SUPPLIED WITH WALLPLATE (TWO PER KEYSWITCH)



ITEM	PART NUMBER	QTY	DESCRIPTION	TOTAL QTY	UOM
<p>THIS DOCUMENT IS THE PROPERTY OF TORK WINCH INC., AND SHALL NOT BE USED, COPIED OR TRANSFERRED TO ANY OTHER DOCUMENTS (WHOLLY OR PARTIALLY) WITHOUT PERMISSION OF TORK WINCH INC.</p>					
<p><b>DO NOT SCALE DRAWING</b></p>					
<p>UNLESS OTHERWISE SPECIFIED DIMENSIONS ARE INCHES DIMENSIONS IN [ ] ARE MM -TOLERANCES- ANGULAR ± 0.5°</p>			<p>QUOTE NUMBER DRAWN BY <b>WJW</b> DRAWN DATE <b>24SEP13</b> CHECKED APPROVED UOM <b>EA</b> WEIGHT (LBS) <b>1.747</b></p>		
<p>DECIMAL ± .02 GENERAL ± 1/32 ± .01 CUTTING ± 1/16 ± .002 FORMING ± 1/16 ± .0005 WELDING ± 1/16</p>			<p>TORK <b>TWI</b> WINCH INC.  <b>POSILOK</b> INC. <b>KEY SWITCH KIT- 5 KEY 5 GANG</b> DERIVED FROM SHT NO <b>1</b> SCALE <b>1/2</b> SHT OF <b>1</b> DRAWING NO <b>38000364</b> REV NUM <b>1</b></p>		