

TYPES OF CONTROL

Config A: Direct voltage control

Config B: 3 Phase with low voltage control

Config S: Single phase power and low voltage control



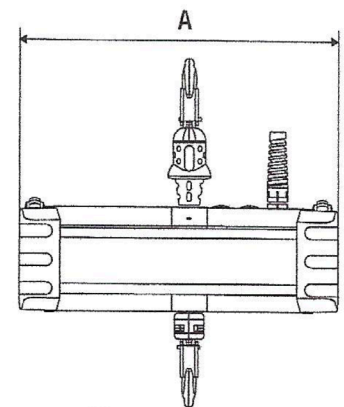
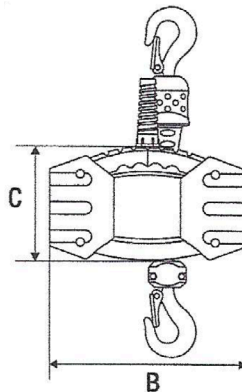
STAGEMAKER

PRODUCT FEATURES

- Exclusive non-contact magnetic hoist positioning system as standard on most models.
- New Perfect Push® concept, 5 pocket load wheel, fitted with 5 intermediate teeth. This innovative load wheel helps distribute the load over more of the chain, dramatically reducing chain wear, and also help provide a smooth and quiet flow of the chain through the hoist.
- ChainFlux MKII® rear ejection chain guide system provides a horizontal flow of the chain from the lead wheel. This design, along with the high strength aluminum construction allows for a more fluid flow of the chain bag and helps reduce the risk of chain jamming.
- Motor design provides consistent speeds when fully loaded or when unloaded.
- Electrical components designed for "plug and play" connectivity.
- Hoist body is powder coated with black, protective 70um paint, allowing it to perform under the most extreme conditions.

IMPROVED ERGONOMICS

- Rubber buffers located on hoist corners provide added protection for the hoist.
- Ergonomic concept of retractable, rubber clad handgrips, allow for easy transportation of the hoist.
- Lifting hook has an ergonomic, rubber clad, gripping surface.



Call to speak with an expert:

1-866-829-4411

or visit us online:

TORKWINCH.COM

TECHNICAL CHARACTERISTICS

- IP 55 rated.
- Complies with standards: CE and CSA.
- Double brake and BGV-D8 + hoists available.
- Maintenance free DC disk brake.
- Hoist may be used in body up or body down position with no modification required.
- Non contact magnetic positioning system standard on all Config B hoists.
- Stromag geared limit switch available as option on all Config B hoists.
- All Config B hoists equipped for encoder addition.
- Black chain as standard with galvanized chain available.
- ChainFlux MKII® specially designed chain guide.
- New Perfect Push® 5 pocket load wheel with 5 intermediate guide teeth.
- Plug and play electronics uses the same card for all SR hoists excluding SR01. One spare covers the entire range of hoists.
- Adjustable slip clutch located outside load path.
- Available power supplies:
 - » 208V/230V/3Ph/60Hz
 - » 460V/3Ph/60Hz
 - » 415V/3Ph/50Hz
 - » 115V/1Ph/60Hz
- Black painted hoist body (RAL 7021).
- Rotating upper and lower hooks, fixed body hook, or safety latch hooks available.
- Retractable, rubber clad handgrips.
- Lifting hook with ergonomic, rubber clad gripping surface.
- High capacity, reversible chain bag.
- Available plugs:
 - » CE type plugs (config A, direct control hoist only)
 - » 7 pin combined power and control
 - » Dual twist lock
 - » P14 combined power and control
 - » L14-20 available for local control

Load Capacity	Model	Speed (m/min)	Speed (rpm)	Number of Falls	Chain Size	Dimensions						Hoist Weight (without chain)		Chain Weight	
						A	B		C		kg	lb	kg/m	lb/ft	
					mm	mm	inch	mm	inch	mm	inch	kg	lb	kg/m	lb/ft
250 kg ¼ ton	SR01 0410254	4	16	1	4 x 11	307	12.1	180	7.11	112	4.4	10.4	23	0.37	0.25
	SR02 0410255	4	16	1	4 x 11	478	18.8	264	10.4	150	5.9	20.1	44.3	0.37	0.25
	SR02 0810254	8	32	1	4 x 11	478	18.8	264	10.4	150	5.9	20.1	44.3	0.37	0.25
	SR05 1610254	16	64	1	5 x 14	472	18.6	297	11.7	174	6.8	29.6	65.3	0.57	0.39
500 kg ½ ton	SR01 0220505	2	8	2	4 x 11	307	12.1	180	7.1	112	4.4	10.4	23	0.57	0.39
	SR05 0410505	4	16	1	5 x 14	472	18.6	297	11.7	174	6.8	29.6	65.3	0.57	0.39
	SR05 S0410504	4	16	1	5 x 14	508	20	297	11.7	174	6.8	32.1	71	0.57	0.39
	SR05 0810504	8	32	1	5 x 14	472	18.6	297	11.7	174	6.87.1	29.6	65.3	0.57	0.39
	SR10 1610504	16	64	1	7 x 20	508	20	335	13.2	180	7.1	44.4	98	1.09	0.74
1000 kg 1 ton	SR10 041104	4	16	1	7 x 20	508	20	335	13.2	180	7.1	44.4	98	1.09	0.74
	SR10 0811004	8	32	1	7 x 20	508	20	335	13.2	180	7.1	44.4	98	1.09	0.74
2000 kg 2 ton	SR10 0222004	2	8	2	7 x 20	508	20	335	13.2	180	7.1	44.4	98	2.2	1.48
	SR10 0422004	4	16	2	7 x 20	508	20	335	13.2	180	7.1	44.4	98	2.2	1.48